

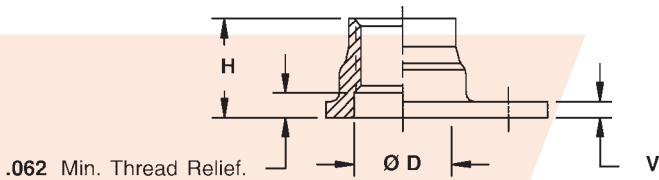
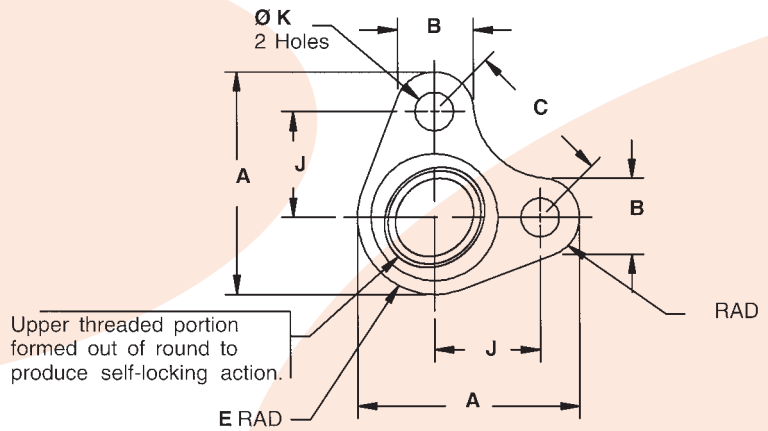
Anchor Nuts (Imperial)

MK3000

Official Distributors of ALCOA products



MK3000



PART NUMBER	THREAD (MIL-S-8879)	A MAX	B REF	C ± .002	D MIN	E REF	H MAX	J ± .005	K +.005 - .000	V REF	APPROX WT LBS/100
MK3000-04	.1120-32 UNJC-3B	.448	.220	.287	—	.125	.130	.203	.098	.025	.09
MK3000-06	.1380-32 UNJC-3B	.457	.220	.308	—	.125	.145	.218	.098	.032	.13
MK3000-08	.1640-32 UNJC-3B	.497	.220	.331	.168	.125	.215	.234	.098	.032	.17
MK3000-3	.1900-32 UNJF-3B	.526	.220	.354	.194	.156	.220	.250	.098	.032	.22
MK3000-4	.2500-28 UNJF-3B	.603	.220	.398	.254	.203	.281	.281	.098	.040	.37
MK3000-5	.3125-24 UNJF-3B	.707	.270	.441	.317	.250	.328	.312	.130	.050	.63

MATERIAL: Carbon steel per AMS 5085 (UNS G10500).

FINISH: Cadmium plate per QQ-P-416, Type II, Class 2 and Kaylube molybdenum disulfide dry film lubricant per MIL-L-46010.

PERFORMANCE: MIL-N-25027.

VARIATIONS: Add "BC" for bottom countersunk rivet holes. Example: MK3000-3BC.

MK3000

ANCHOR NUT
MINIATURE, CORNER, CRES

MK3000