

Anchor Nuts (Metric)

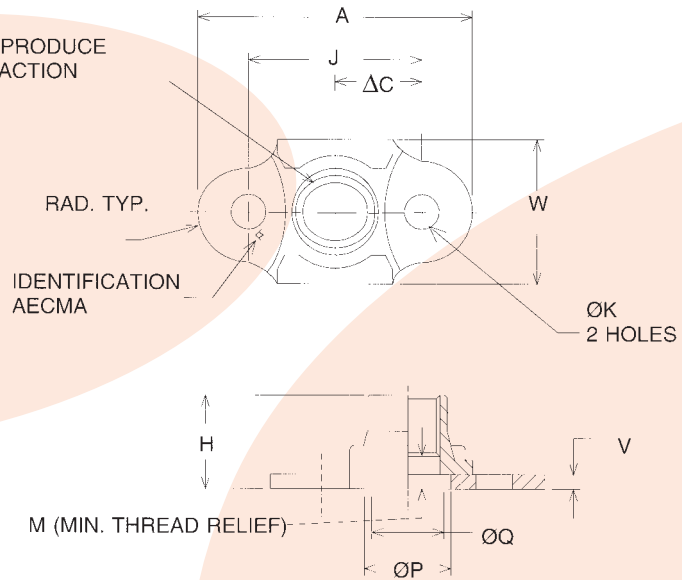
MFM5000

Official Distributors of ALCOA products



MFM5000

DEFORMED TO PRODUCE SELF-LOCKING ACTION



PART NUMBER	THREAD		A	C	H	J	K	M	P	Q	V	W
			MAX	Δ	MAX	$\pm 0,05$	$+0,2$ $-0,0$	$\pm 0,25$	$\pm 0,05$	MIN	MAX	MAX
MFM5000-040	M4	0,70	17,2	6,0	5,1	12,0	2,5	1,6	5,0	4,2	0,6	9,8
MFM5000-050	M5	0,80	19,2	7,0	6,1	14,0	2,5	1,6	6,0	5,2	0,8	10,6
MFM5000-060	M6	1,00	21,2	8,0	6,8	16,0	2,5	1,6	7,0	6,2	0,8	12,3

MATERIAL: C1050 carbon steel per AMS 5085 (UNS G10500).

FINISH: Cadmium plate per QQ-P-416, Type II, Class 2 and Kaylube molybdenum disulfide dry film lubricant per MIL-L-46010.

THREAD DATA: Thread Profile: ISO 5855/1 and to MJ minor dia. Tolerances: ISO 5855/2. Class 4H5H.

PERFORMANCE: AECMA 2053 (Tensile strength based on 1100 MPa).

TEMPERATURE: 235°C.

DIMENSIONS: LN 29910.

FLOATABILITY: 0,5 minimum radially from centre.

MFM5000

ANCHOR NUT

MFM5000

TWO LUG, MINIATURE, FLOATING, METRIC